



MORE INFORMATION



MANUALS



All materials are compatible  
with RoHS requirements.

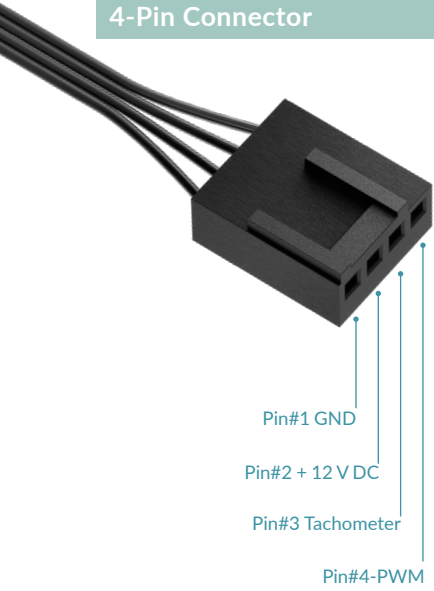


# S12038-4K

120 mm 4k rpm Server Fan



## 4-Pin Connector



## S12038-4K Specifications

## General Specifications

Dimensions	120 (L) x 120 (W) x 38 (H) mm
Weight	320 g
Flammability UL 94	V-0
Operating Ambient Temperature	-10°C ~ 70°C
Warranty	6 Years

## Fan Specifications

Speed	600-4000 rpm PWM controlled
Static Pressure	11.45 mmH <sub>2</sub> O
Airflow	106 cfm   180 m <sup>3</sup> /h
Bearing	Dual Ball Bearing with Brass Housing
Cable Length	300 mm, Black
Connector	4-Pin Fan Connector
Current   Voltage	0.33 A   12.0 V DC
Start-Up Voltage	3.1 V DC
Current (Maximum)	0.6 A
Motor Protection Features	Reverse Polarity Protection

## S12038-4K Shipping Information

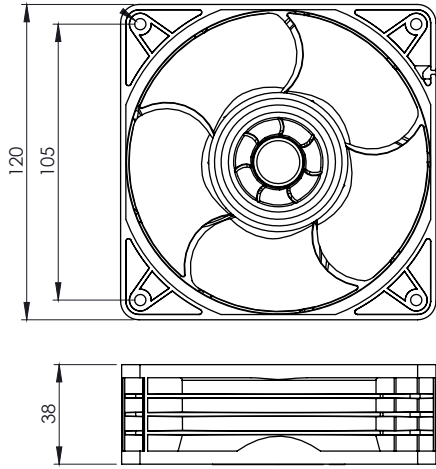
## Single Fan

Package Content	S12038-4K x1 Mounting Screws x4 Impeller Sticker x1
Box Dimensions	125 (L) x 125 (W) x 43 (H) mm
Gross Weight	362 g
SKU	ACFAN00296A
EAN	4895213704694
UPC	840033402460

## 3 Pack

Package Content	S12038-4K x3 Mounting Screws x12 Impeller Sticker x3
Box Dimensions	137 (L) x 135 (W) x 135 (H) mm
Brutto Weigth	1091 g
SKU	ACFAN00303A
EAN	4895213704717
UPC	840033402484

Dimensions



S12038-4K

P/Q Curve

