

P14 PWM PST RGB



140 mm RGB PWM Fan with Cable Splitter

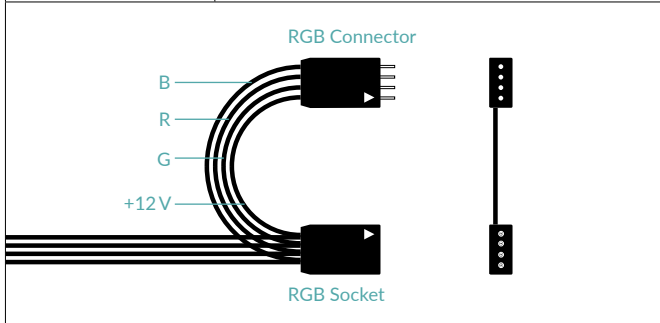


General Specifications

Dimensions	140 (L) x 140 (W) x 27 (H) mm
Weight	210g
Package Content	P14 PWM PST RGB x1 Mounting Screws x4

RGB Specifications

Number of LEDs	12
Cable Length	40 + 8cm
Connector	4-Pin 12 V-G-R-B Connector + 4-Pin Plug
Current Voltage	0.2 A 12 V DC

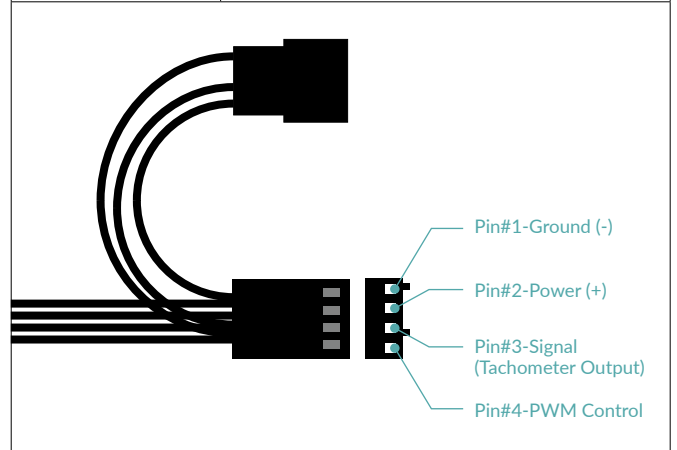


Shipping Information Single Fan

Box Dimensions	167 (L) x 167 (W) x 34 (H) mm
Gross Weight	297g
SKU	ACFAN00238A
EAN	4895213703475
UPC	840033401289

Fan Specifications

Speed	0-1900 rpm
rpm Control	Pulse Width Modulation
Static Pressure	68.9 cfm
Airflow	2 mmH ₂ O
Bearing	Fluid Dynamic Bearing
Cable Length	40 + 8 cm
Connector	4-Pin Connector + 4-Pin Plug
Current Voltage	0.17 A 12 V DC



Shipping Information 3 pc Value Pack

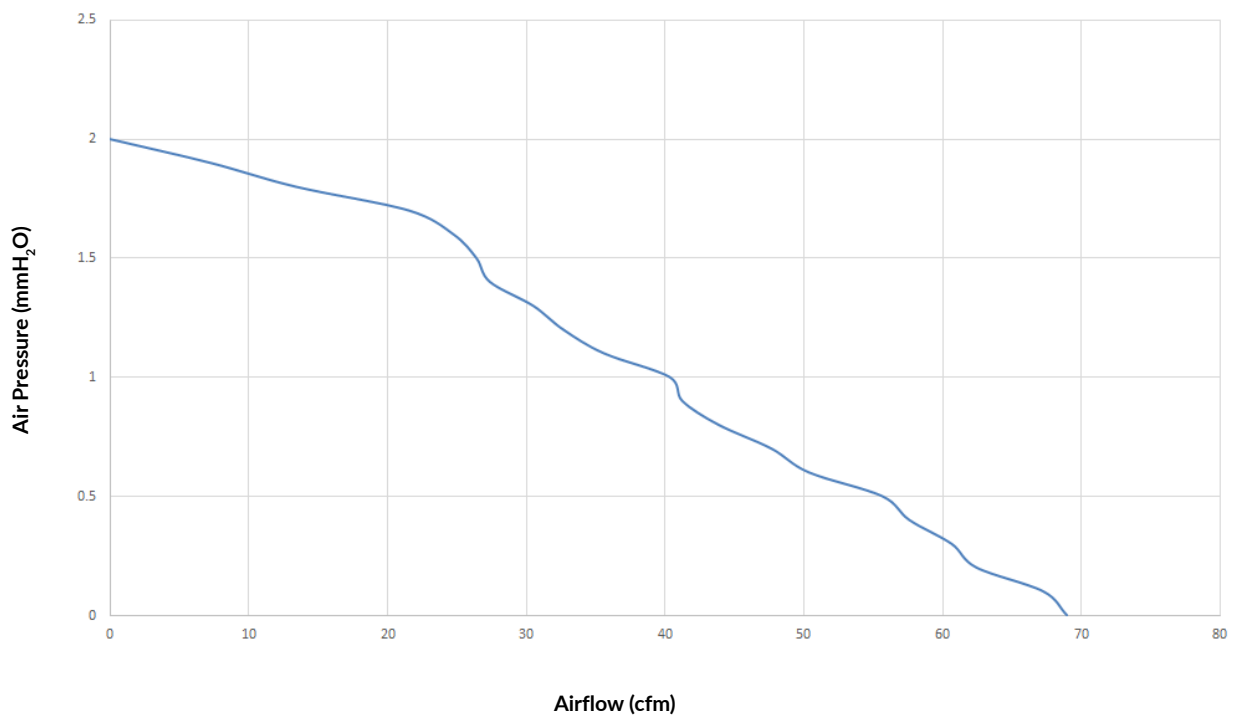
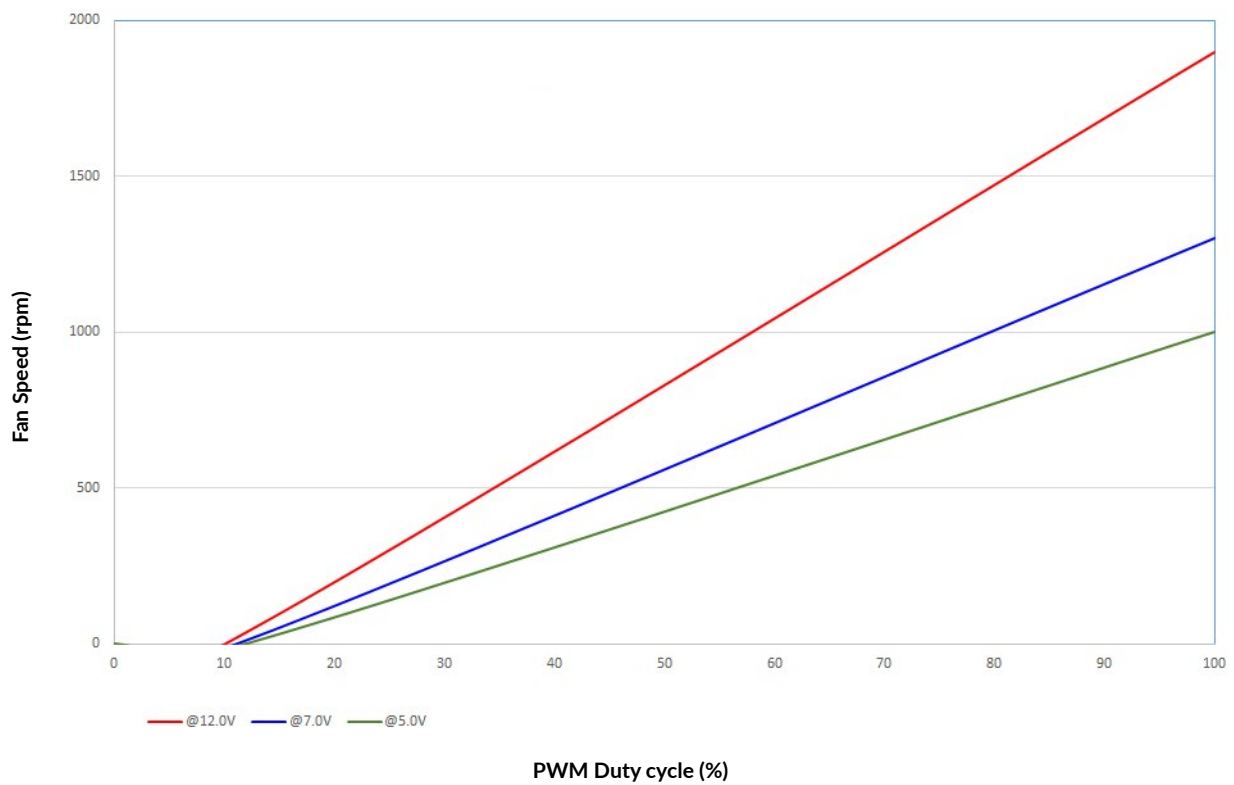
Box Dimensions	144 (L) x 91 (W) x 147 (H) mm
Gross Weight	758g
SKU	ACFAN00255A
EAN	4895213703482
UPC	840033401296

Shipping Information 3 pc Value Pack with Controller

Box Dimensions	144 (L) x 110 (W) x 147 (H) mm
Gross Weight	850g
SKU	ACFAN00256A
EAN	4895213703499
UPC	840033401302

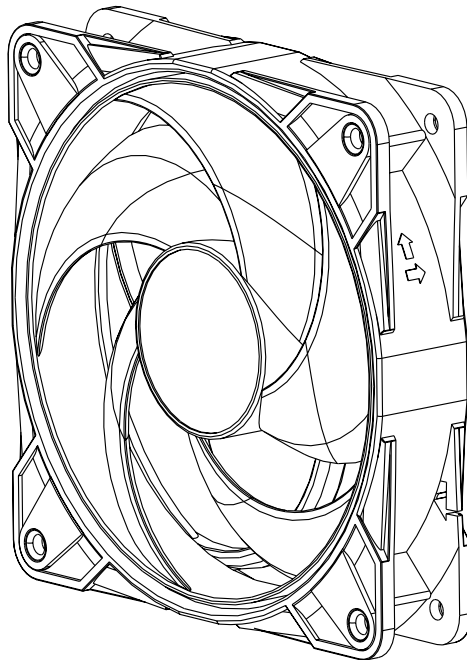
P14 PWM PST RGB

140 mm RGB PWM Fan with Cable Splitter

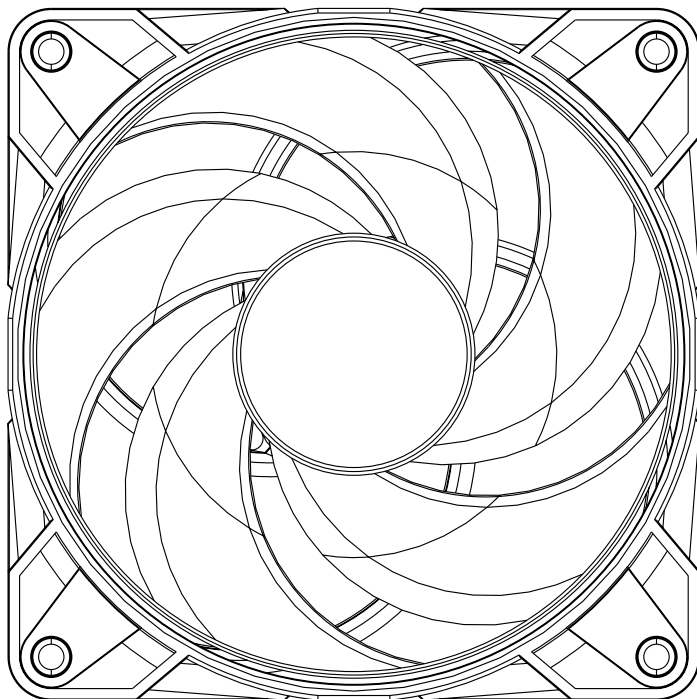


P14 PWM PST RGB

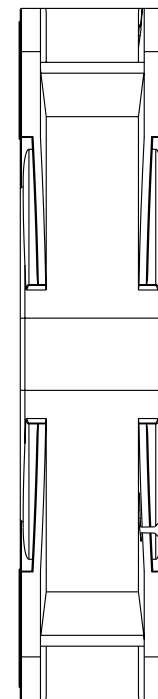
140 mm RGB PWM Fan with Cable Splitter



← 140 mm →



← 27 mm →



140 mm



All materials are compatible with RoHS requirements.

MORE INFORMATION



MANUALS

